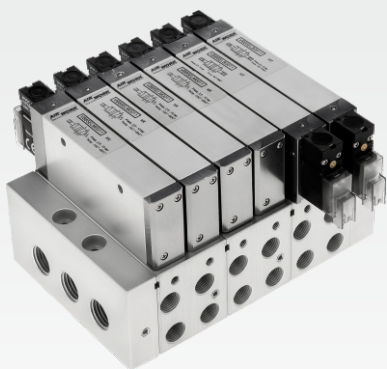


**SOLENOID VALVES VB SERIES
ELECTROVALVES SERIES VB
ELETTROVALVOLE SERIE VB**



Airwork presents the new series of valves VB, designed to answer to the requests always more demanding of reduced dimensions without giving up to solidity and robustness. Here is our answer, a series of valves electrically and pneumatically controlled with width 15mm entirely made in aluminium. The VB series is designed with air port outputs directly to make easier the installation of the tubes on the plant.

Key points:

- * reduced dimensions (15mm)
- * low current absorption (1W)
- * modern design and compactness, which renders the installation easy and avoids the accumulation of dirt
- * components made of metal in order to guarantee a long duration even in demanding environments
- * 3 different types of connection: lower, lateral and DIN 15mm.
- * led indicating functioning, well visible
- * monostable manual acting
- * sub-base with exclusive modular system

Airwork presenta la nuova serie di valvole VB concepite per rispondere alle sempre maggiori esigenze di compattezza delle dimensioni, senza però rinunciare alla solidità e robustezza. Ecco allora la risposta, una serie di valvole a comando elettrico e pneumatico con larghezza 15mm interamente in alluminio. la serie VB è predisposta con attacchi uscite aria, direttamente sulla sottobase per facilitare l'installazione dei tubi sull'impianto.

Punti di forza:

- * Le dimensioni ridotte (15mm)
- * basso assorbimento di corrente (1W)
- * design moderno ma soprattutto compatto, facilita l'installazione ed evita l'accumulo di sporcizia
- * componenti in metallo per garantire lunga durata anche in ambienti difficili
- * 3 differenti tipi di connessione: inferiore, laterale e DIN 15mm.
- * Indicatore led di funzionamento, ben visibile
- * azionamento manuale monostabile
- * sottobase con esclusivo sistema modulare

TECHNICAL DATA / DONNEES TECHNIQUES / DATI TECNICI

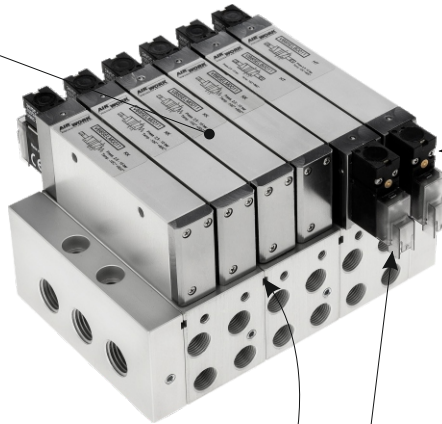
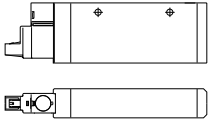
Fluid / Fluide / Fluido	lubricated or non lubricated air / air lubrifié ou non / aria con o senza lubrificazione
Max operating pressure / Pression max d'utilisation / Pressione massima di esercizio	
*solenoid pilot / commande électrique / pilotaggio elettrico	8 bar
*pneumatic pilot / pilot pneumatique / pilotaggio pneumatico	10 bar
Max working temperature / Température max d'utilisation / Temperatura max di esercizio	-5 C° + 50 C°
Flow rate to 6 bar and Δp 1 bar / Débit a 6 bar et Δp 1 bar / Portata a 6 bar e Δp 1 bar	500 Nl/min
Electric tension / Tension électrique / Tensione elettrica	24VDC
Tension tolerance / Tolérance de tension / Tolleranza di tensione	±10%
Power consumption / Consommation d'énergie / Assorbimento	1W (DC)
Insulation / Isolation / Isolamento	classe F
Degree of protection / Degré de protection / Grado di protezione	IP 40
Valve width / Largeur de la valve / Larghezza valvola	15mm
air ports / attache / attacchi	1/8
Pilots / Commandes / Comandi	solenoid and pneumatic / électrique et pneumatique / elettrico e pneumatico

FAST SELECT / SELECTION RAPIDE / SELEZIONE RAPIDA

	CODE	CONNECTOR		CODE	CONNECTOR
	monostable / monostabile / monostabile			monostable / monostabile / monostabile	
	VB85ELM0001	5/2 lateral / côté / laterale		VB83ELM2C01	3/2+3/2 NC-NC lateral / côté / laterale
	VB85ELM0011	5/2 lower / infer. / infer.		VB83ELM2C11	3/2+3/2 NC-NC lower / infer. / infer.
	VB85ELM0021	5/2 DIN 15mm	VB83ELM2C21	3/2+3/2 NC-NC DIN 15mm	
	bistable / bistable / bistabile			monostable / monostabile / monostabile	
	VB85ELB0001	5/2 lateral / côté / laterale		VB83ELM2A01	3/2+3/2 NO-NO lateral / côté / laterale
	VB85ELB0011	5/2 lower / infer. / infer.		VB83ELM2A11	3/2+3/2 NO-NO lower / infer. / infer.
	VB85ELB0021	5/2 DIN 15mm	VB83ELM2A21	3/2+3/2 NO-NO DIN 15mm	
	monostable / monostabile / monostabile			monostable / monostabile / monostabile	
	VB86ELMCC01	5/3 lateral / côté / laterale		VB83ELM2X01	3/2+3/2 NC-NO lateral / côté / laterale
	VB86ELMCC11	5/3 lower / infer. / infer.		VB83ELM2X11	3/2+3/2 NC-NO lower / infer. / infer.
	VB86ELMCC21	5/3 DIN 15mm	VB83ELM2X21	3/2+3/2 NC-NO DIN 15mm	
	monostable / monostabile / monostabile				
	VB86ELMCA01	5/3 lateral / côté / laterale			
	VB86ELMCA11	5/3 lower / infer. / infer.			
	VB86ELMCA21	5/3 DIN 15mm			
	monostable / monostabile / monostabile				
	VB86ELMCP01	5/3 lateral / côté / laterale			
	VB86ELMCP11	5/3 lower / infer. / infer.			
	VB86ELMCP21	5/3 DIN 15mm			

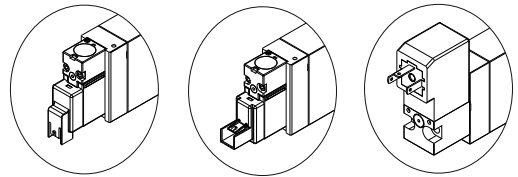
KEY POINTS / ATOUTS / PUNTI DI FORZA

Clean profile and modern design
Profil esthétique propre et moderne
Profilo pulito ed estetica moderna



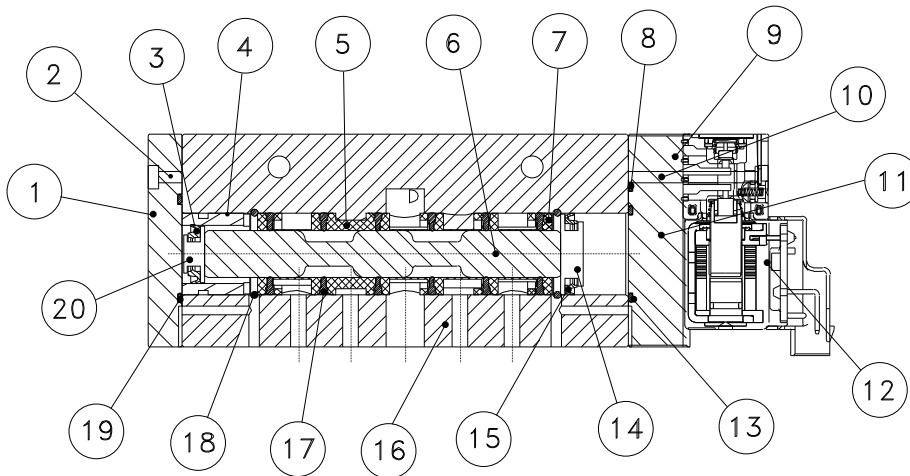
Manual operation
simple and safe
Commande manuelle
simple et sécurisée
Intervento manuale
semplice e sicuro

Manifold with hole for passing
through of the opposite solenoid cable
Collecteur avec canal pour passer
le fil du solénoïde opposé.
Sottobasi con canale per passaggio
cavo solenoide opposto.



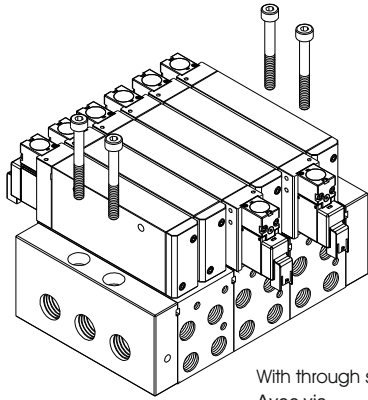
3 different types of solenoid
3 types de solénoïde différents / 3 differenti tipologie di elettropiloti

COMPONENTS / COMPOSANTS / COMPONENTI /

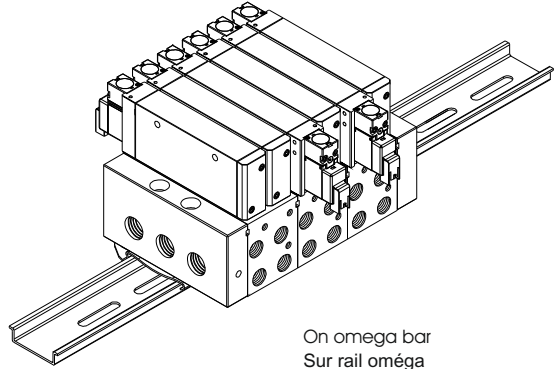


20	PNEUMATIC SPRING PISTON	BRASS
19	O-RING 13x1	NBR
18	ELASTIC STOP RING	STEEL
17	AIRTIGHT SPOOL SEAL	NBR
16	VALVE BODY CORPS	ANODIZED ALUMINIUM
15	DE PISTON SEAL	NBR
14	PNEUMATIC PISTON	BRASS
13	O-RING 12x1	NBR
12	ELECTRIC PILOT VALVE	
11	ELECTRIC BOTTOM CORPS	ANODIZED ALUMINIUM
10	TCE M1,6 SCREW	GALVANIZED STEEL
9	SPHERE	100 Cr6 STEEL
8	O-RING 1,15x1	NBR
7	SPOOL DISTANCE	BRASS
6	SPOOL	AISI303 INOX STEEL
5	CAGE DISTANCE	BRASS
4	RIDUCTION FOR PNEUMATIC SPRING PISTON	BRASS
3	DE PISTON SEAL	NBR
2	TCE M1,6 SCREW	GALVANIZED STEEL
1	PNEUMATIC SPRING BOTTOM CORPS	ANODIZED ALUMINIUM
Pos.	Description	Material

MOUNTING SYSTEM / SYSTÈME DE MONTAGE / SISTEMA DI FISSAGGIO

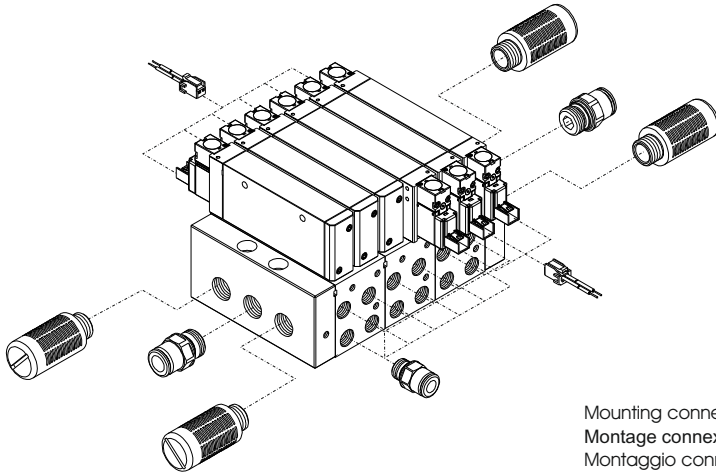


With through screws
Avec vis
Con viti passanti

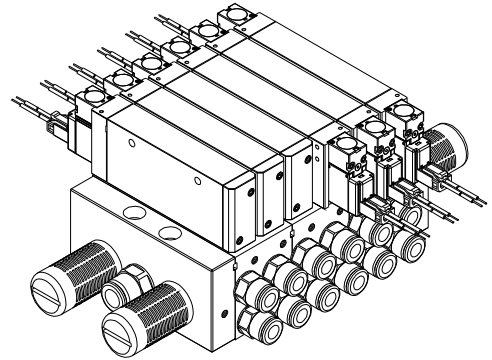


On omega bar
Sur rail oméga
Su barra omega

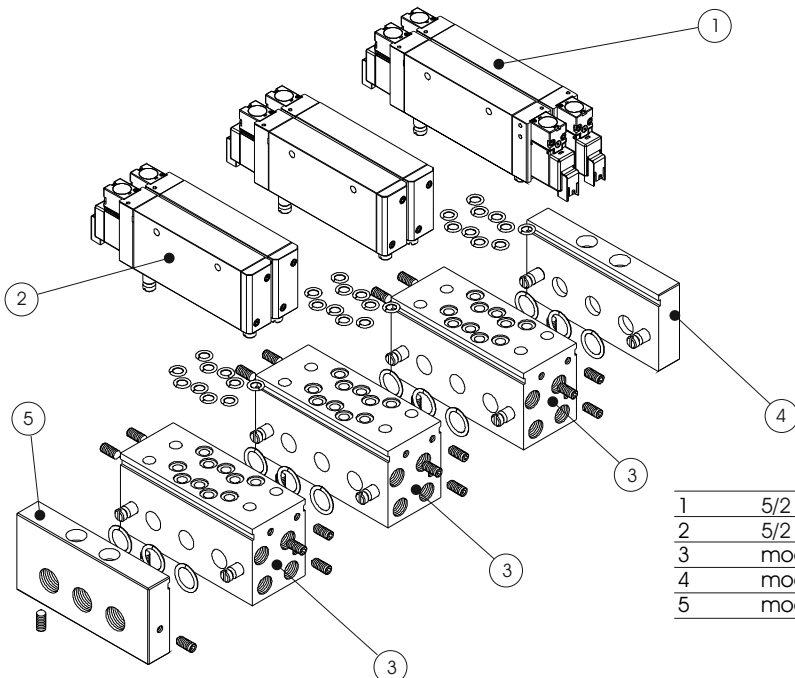
CONNECTION SYSTEM / CONNEXION SYSTEME / SISTEMA DI CONNESSIONE



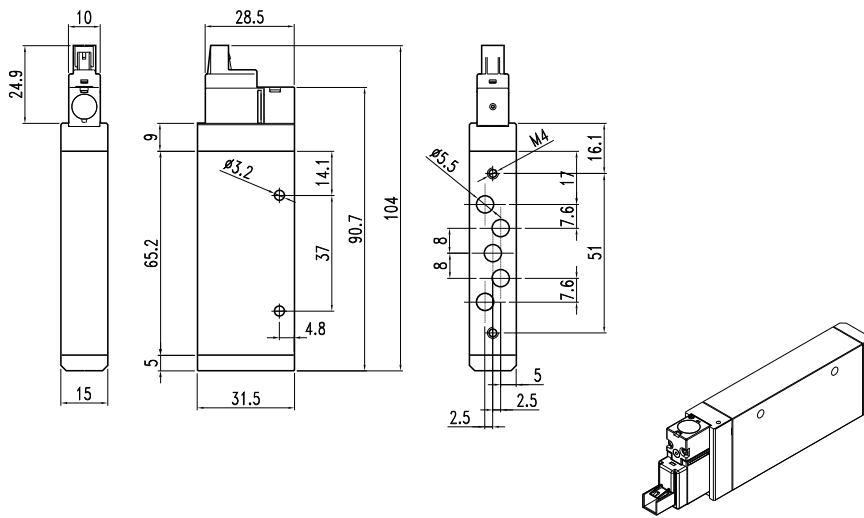
Mounting connections
Montage connexions
Montaggio connessioni



PART LIST/ VUE ECLATEE / ESPLOSO

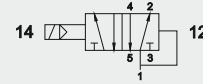


1	5/2 bistable / 5/2 bistable / 5/2 bistabile
2	5/2 monostable / 5/2 monostable / 5/2 monostabile
3	modular manifold / base modulaire / base modulare
4	modular terminal - right / terminal droit/ terminale destro
5	modular terminal - left / terminal gauche / terminale sinistro



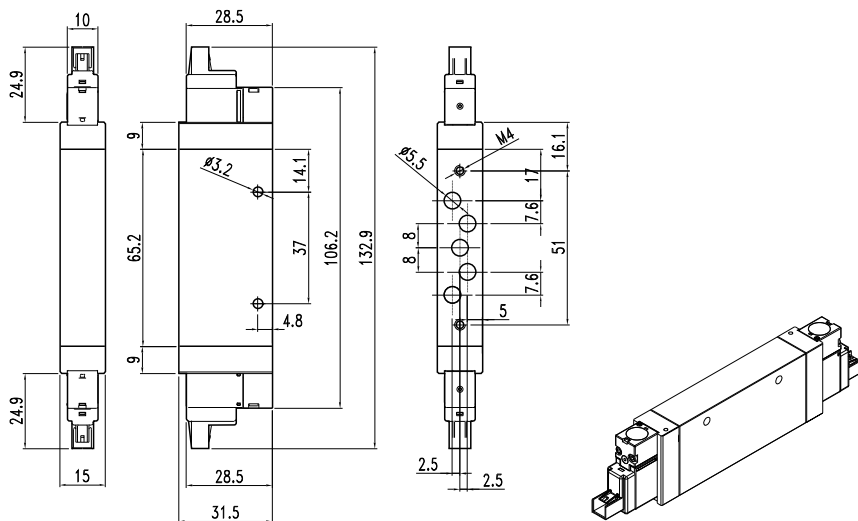
1/8 - 5/2 monostable lateral connector
1/8 - 5/2 monostable connecteur côté
1/8 - 5/2 monostabile connettore laterale

CODE: VB85ELM0001



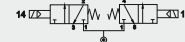
1/8 - 5/2 bistable lateral connector
1/8 - 5/2 bistable connecteur côté
1/8 - 5/2 bistabile connettore laterale

CODE: VB85ELB0001

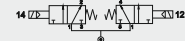


1/8 - 3/2 + 3/2 monostable
1/8 - 3/2 + 3/2 monostable
1/8 - 3/2 + 3/2 monostabile

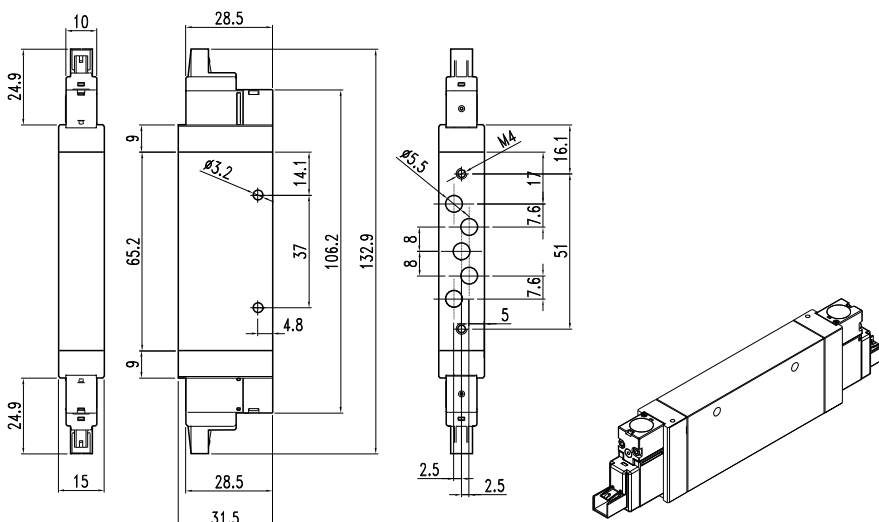
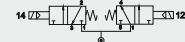
CODE: VB83ELM2C01 NC + NC



CODE: VB83ELM2A01 NA + NA



CODE: VB83ELM2X01 NC + NA



1/8 - 5/3 monostable lateral connector
1/8 - 5/3 monostable connecteur côté
1/8 - 5/3 monostabile connettore laterale

CODE: VB86ELMCC01 CC / CF / CC

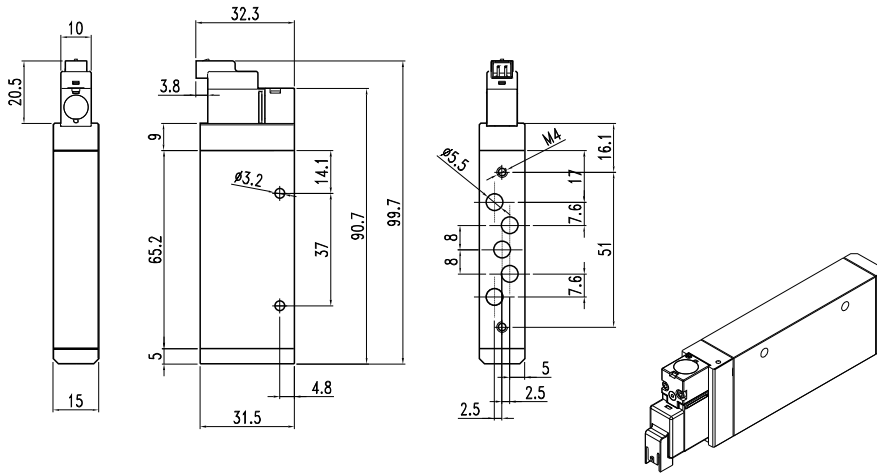


CODE: VB86ELMCA01 CO / CO / CA



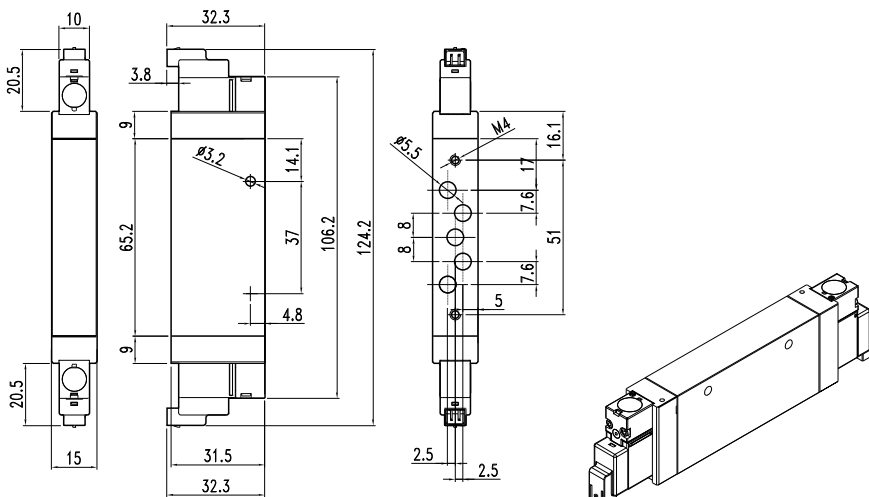
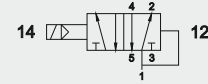
CODE: VB86ELMCP01 CP / CP / CP





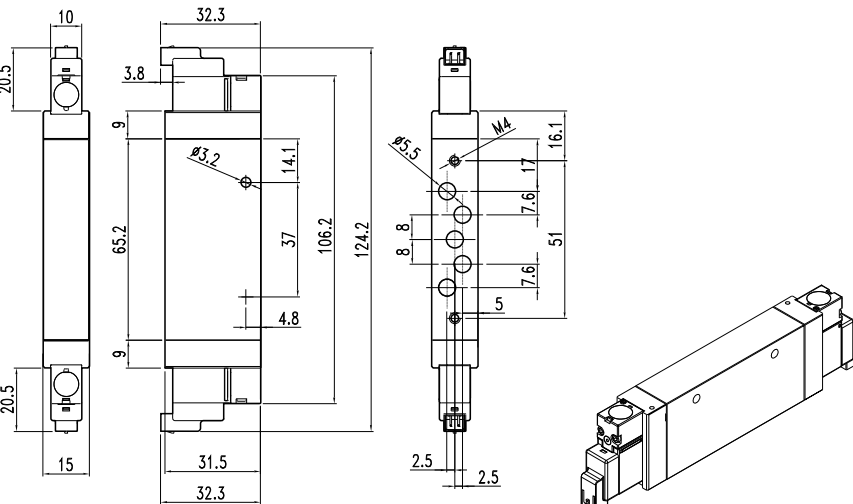
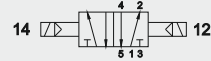
1/8 - 5/2 monostable lower connector
1/8 - 5/2 monostable connecteur inférieur
1/8 - 5/2 monostabile connettore inferiore

CODE: VB85ELM0011



1/8 - 5/2 bistable lower connector
1/8 - 5/2 bistable connecteur inférieur
1/8 - 5/2 bistabile connettore inferiore

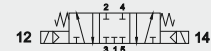
CODE: VB85ELB0011



1/8 - 5/3 monostable lower connector
1/8 - 5/3 monostable connecteur inférieur
1/8 - 5/3 monostabile connettore inferiore

CODE: VB86ELMCC11

CC / CF / CC



CODE: VB86ELMCA11

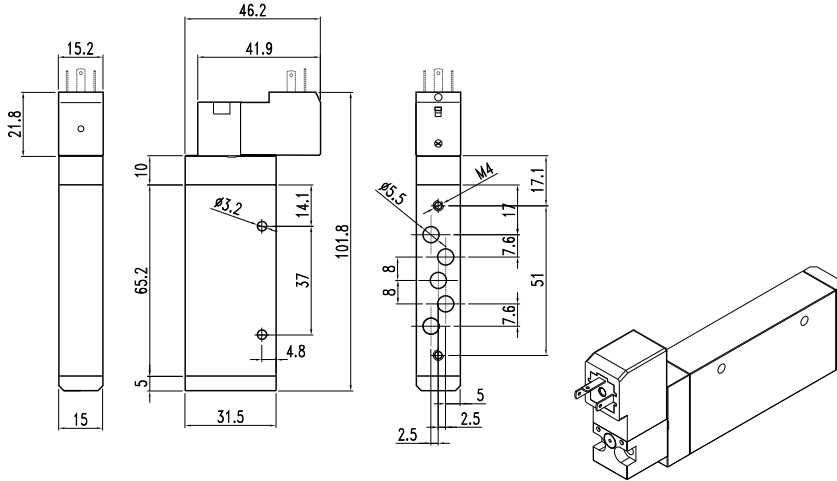
CO / CO / CA



CODE: VB86ELMCP11

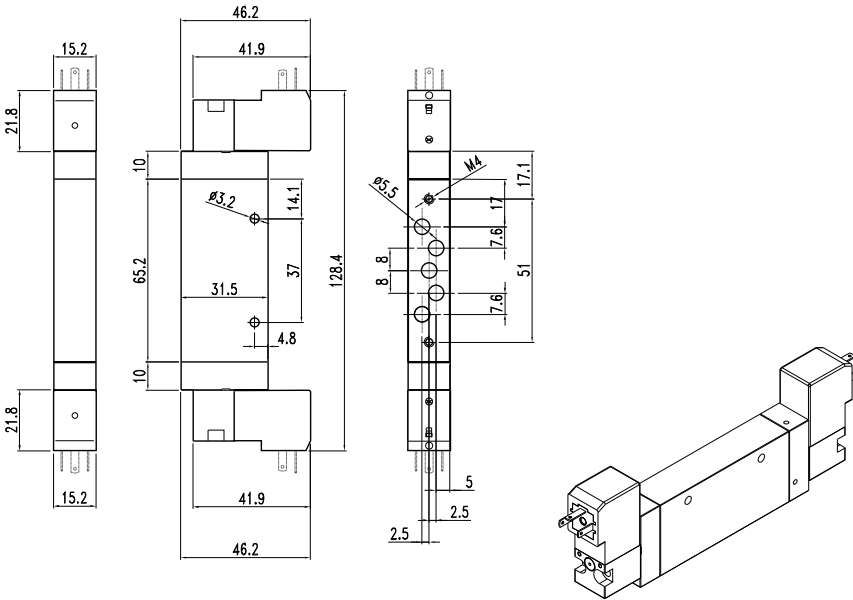
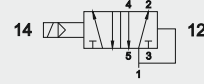
CP / CP / CP





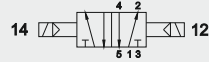
1/8 - 5/2 monostable DIN 15mm
1/8 - 5/2 monostable DIN 15mm
1/8 - 5/2 monostabile DIN 15mm

CODE: VB85ELM0021



1/8 - 5/2 bistable DIN 15mm
1/8 - 5/2 bistable DIN 15mm
1/8 - 5/2 bistabile DIN 15mm

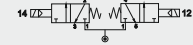
CODE: VB85ELB0021



1/8 - 3/2 + 3/2 monostable
1/8 - 3/2 + 3/2 monostable
1/8 - 3/2 + 3/2 monostabile

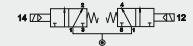
CODE: VB83ELM2C21

NC + NC



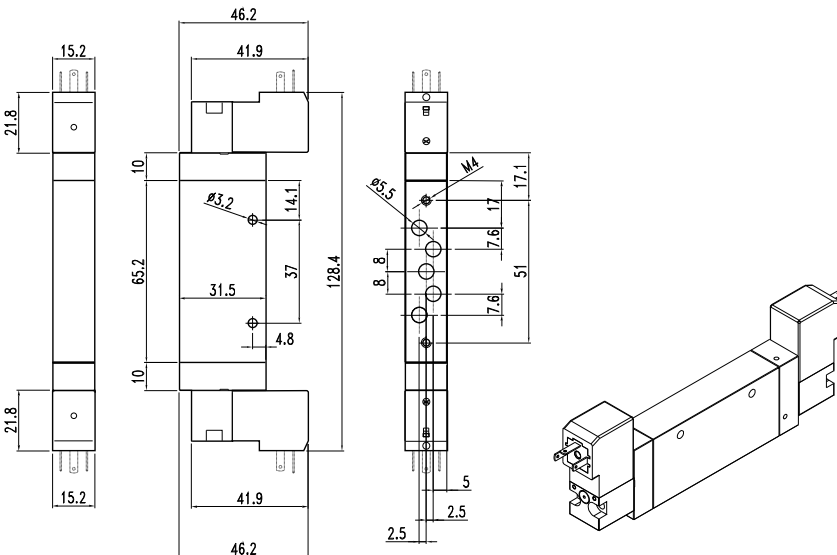
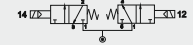
CODE: VB83ELM2A21

NA + NA



CODE: VB83ELM2X21

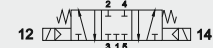
NC + NA



1/8 - 5/3 monostable DIN 15mm
1/8 - 5/3 monostable DIN 15mm
1/8 - 5/3 monostabile DIN 15mm

CODE: VB86ELMCC21

CC / CF / CC



CODE: VB86ELMCA21

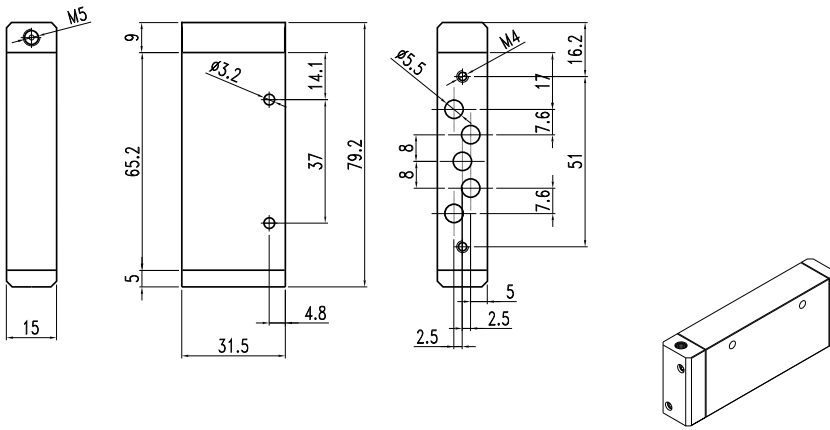
CO / CO / CA



CODE: VB86ELMCP21

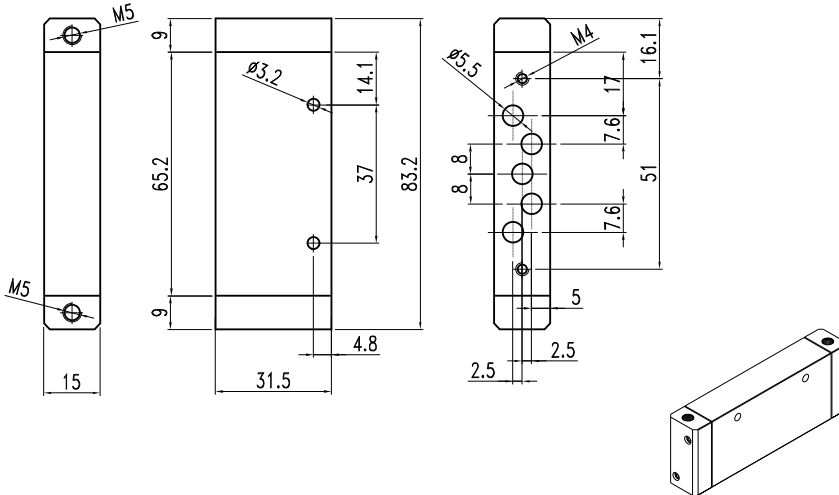
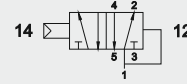
CP / CP / CP





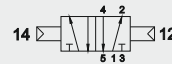
1/8 - 5/2 monostable
1/8 - 5/2 monostable
1/8 - 5/2 monostabile

CODE: VB85PNM00



1/8 - 5/2 bistable
1/8 - 5/2 bistable
1/8 - 5/2 bistabile

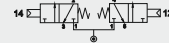
CODE: VB85PNB00



1/8 - 3/2 + 3/2 monostable
1/8 - 3/2 + 3/2 monostable
1/8 - 3/2 + 3/2 monostabile

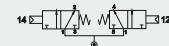
CODE: VB83PNM2C00

NC + NC



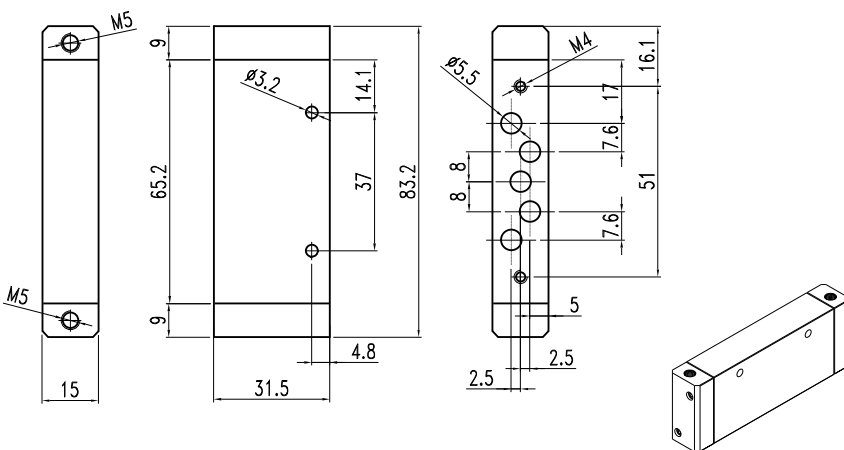
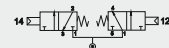
CODE: VB83PNM2A00

NA + NA



CODE: VB83PNM2X00

NC + NA



1/8 - 5/3 monostable
1/8 - 5/3 monostable
1/8 - 5/3 monostabile

CODE: VB86PNMCCCC / CF / CC



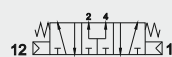
CODE: VB86PNMCA

CO / CO / CA

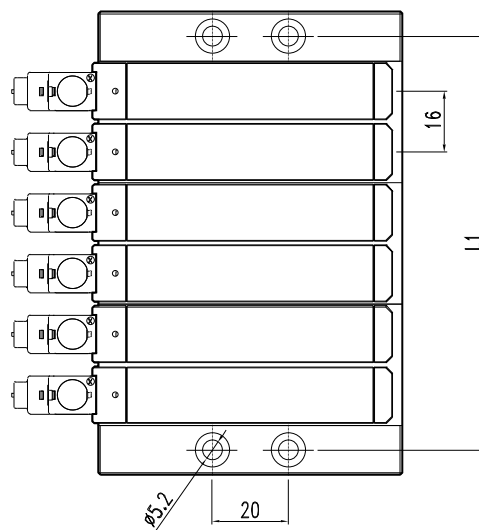
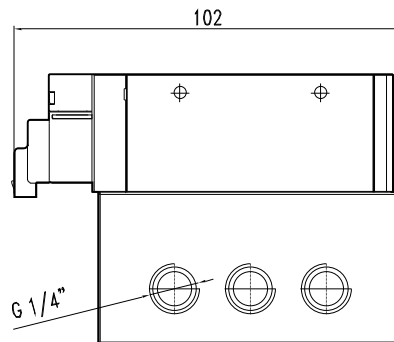
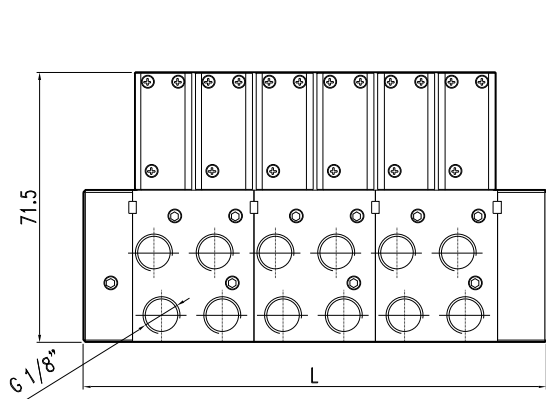


CODE: VB86PNMCP

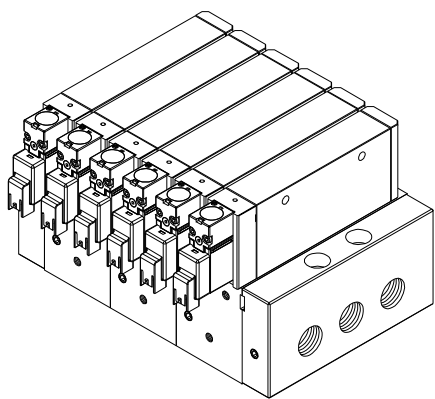
CP / CP / CP

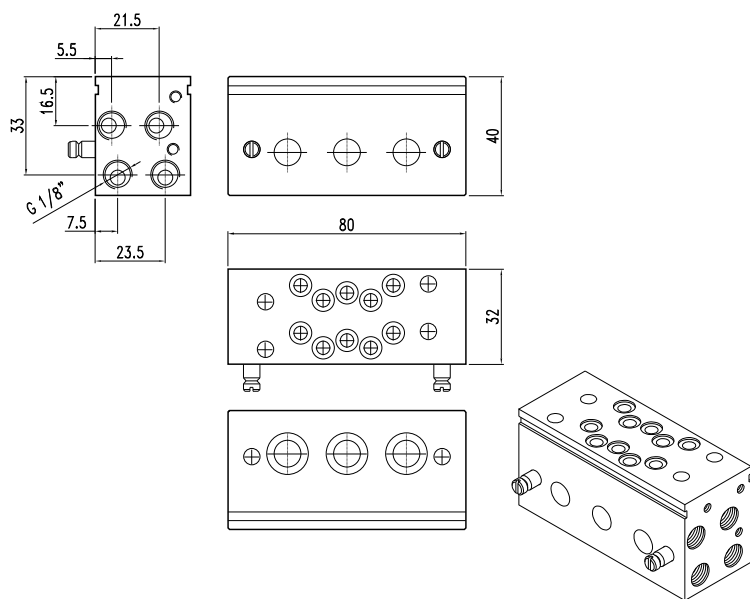


DIMENSIONS / DIMENSIONS / DIMENSIONI



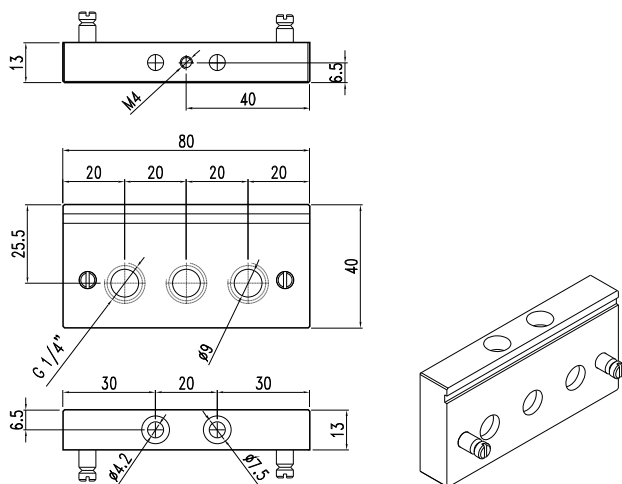
N° POS	L	L1
2	58	45
4	90	77
6	122	109
8	154	141
10	186	173
12	218	205
14	250	237
16	282	269
18	314	301
20	346	333
22	378	365





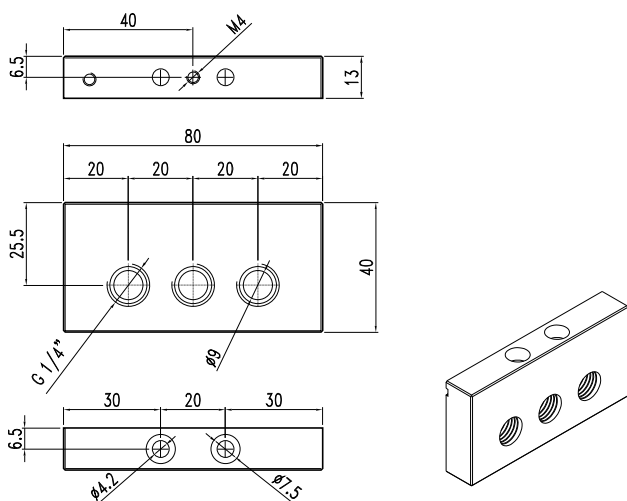
MODULAR MANIFOLD
BASE MODULAIRE
BASE MODULARE

CODE: SB409211



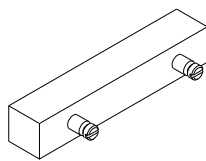
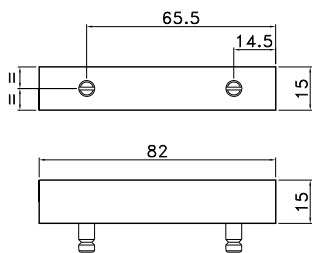
TERMINAL RIGHT
TERMINAL DROIT
TERMINALE DESTRO

CODE: SB409212



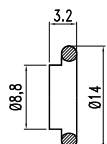
TERMINAL LEFT
TERMINAL GAUCHE
TERMINALE SINISTRO

CODE: SB409213



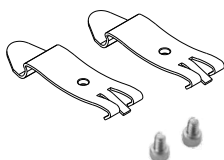
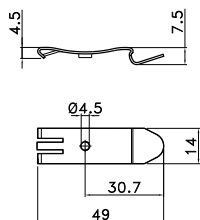
BRAKING PLATE
PLAQUE DE FERMETURE
PIASTRINA DI CHIUSURA

CODE: SB409214



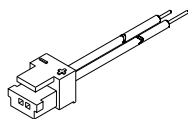
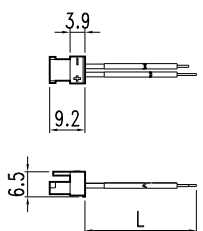
DIAPHRAGM SEAL
JOINT DIAPHRAGME
GUARNIZIONE DIAFRAMMA

CODE: SB408215



KIT ASSEMBLING FOR DIN RAIL
KIT ASSEMBLAGE POUR RAIL DIN
KIT STAFFE PER FISSAGGIO GUIDA DIN

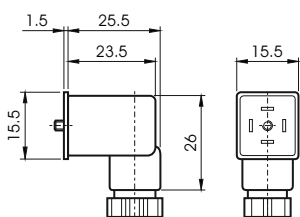
CODE: SB408216



L = 300 mm
L = 500 mm
L = 1000 mm

CONNECTOR
CONNECTEUR
CONNETTORE

CODE:
VX0048 300mm
VX0049 500mm
VX0050 1000mm



CONNECTORS
CONNECTEURS
CONNETTORI

CODE	DES.
VX0020	STANDARD
VX0021	LED 24V
VX0022	LED 110V
VX0023	LED 220V
VX0024	LED VDR 24V
VX0025	LED VDR 110V
VX0026	LED VDR 220V